

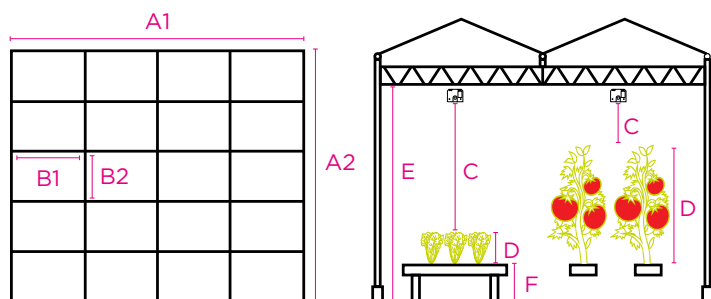
REQUEST A LIGHT PLAN

Company name _____
 Telephone number _____
 Address _____
 Province/State _____
 Project name _____
 Facility Greenhouse Indoor
 Crop _____
 Type of HPS ^{GH} _____
 Light intensity _____

Contact name _____
 E-mail address _____
 City _____
 Country _____
 Installer _____
 Type of growing Propagation Production
 Light installation ^{GH} Full Led Hybrid
 Light spectrum _____
 Daily light integral _____

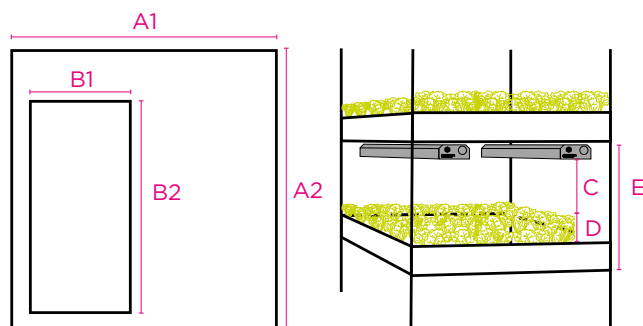
Dimensions*

GREENHOUSE



Dimension of greenhouse (A) _____
 Size bay width / post spacing (B) _____
 Distance crop to fixture (C) _____
 Height of crop (D) _____
 Distance floor to truss (E) _____
 Height of bench/gutter (F) _____
 Reflective walls/screens Yes No
 Reflection factor % _____

MULTI-LAYER



Dimension of room (A) _____
 Size grow area / table (B) _____
 Distance crop to fixture (C) _____
 Height of crop (D) _____
 Distance between layers (E) _____
 Number of layers _____
 Reflective walls/screens Yes No
 Reflection factor % _____

^{GH} Only for greenhouse
 * Add a floor map or drawing.